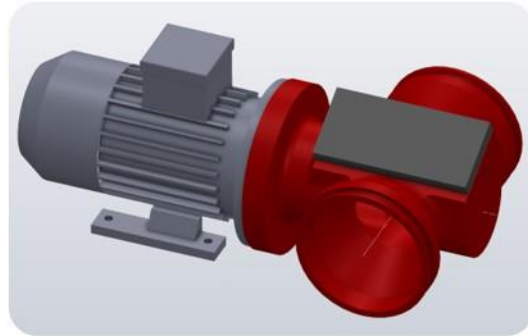


Cuttopipe Product Series

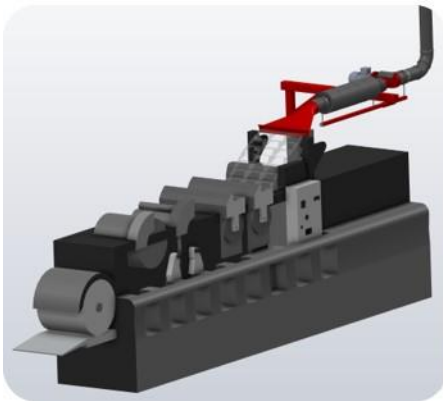
Cuttopipe Granulators



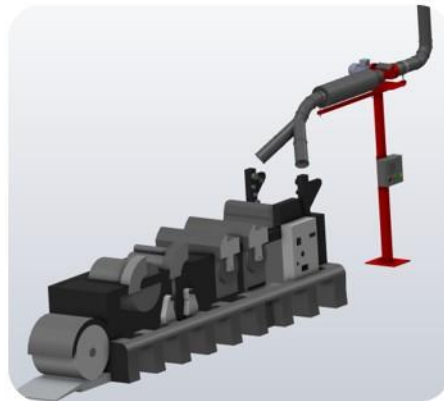
Cuttopipe cutting mills



Cuttopipe MCM-Module



Cuttopipe TCM-Module



Cuttopipe GR-Granulators

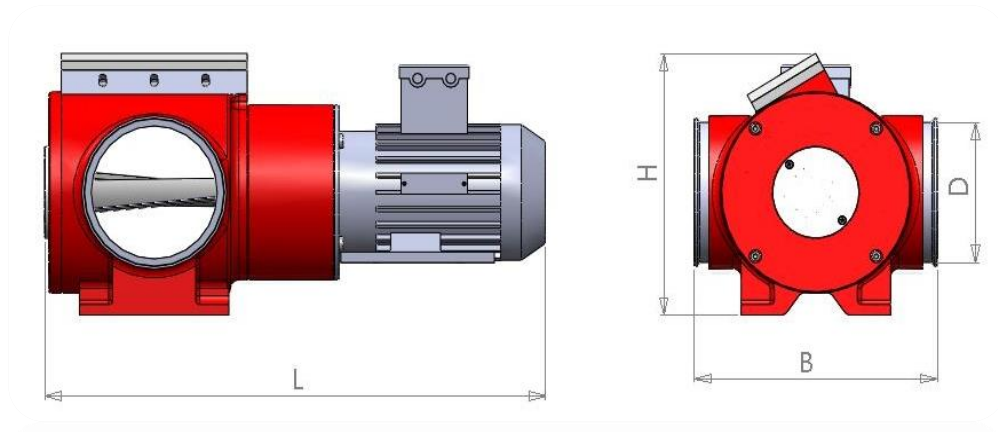
MATHO designs and manufactures unique granulators/inline cutting units for different materials and industries.

The units of the Cuttopipe product family are designed to fit into already existing waste extraction systems or as the „heart piece“ of every Cuttobag and Cuttopress system from us.

With these inline cutters we are able to cover many applications and cut a lot of different materials at lowest air resistance, highest throughput rates and very high reliability.



Technical data & Measurements:



Type	D (mm)	Power (KW)	U/min.	L (mm)	B(mm)	H(mm)	Weight (kg)
GR-100	100	0,55	2800	392	254	198	22*
GR-160	160	0,75	1400	517	284	208	34*
GR-180	160	0,75	1400	655	293	300	65*
GR-200	200	1,5	1400	720	350	310	80*

* inkl. Motor

Cuttopipe HS Cutting mills

MATHO designs and manufactures unique granulators/inline cutting units for the labels, converting paper and wood veneer industries and additionally cutting mills for the packaging and plastics industries.

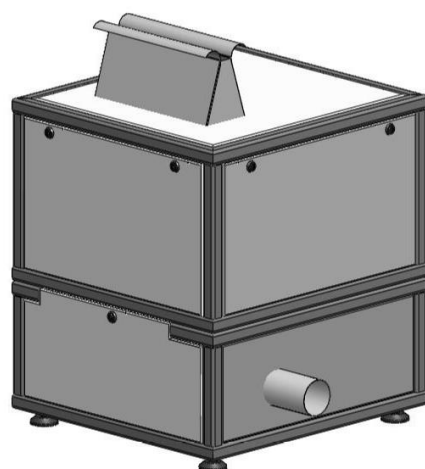
Within the Cuttopipe-product family the so-called **HS**-cutting mills are the cutting units especially for heavy and thick packaging matrix waste.

Single parts:

- Cutting mill from the Cuttopipe HS product family
- Machine frame with intake opening and pipe exit
- Electrical control cabinet

Types:

- Cuttopipe GR-200 HS
- Cuttopipe GR-420 HS
- Cuttopipe GR-500 HS



Dimensions	GR-200 HS	GR-420 HS	GR-500 HS
Height	1310	1318	1740
Width	560	780	945
Depth	945	750	950

Technical details:

	GR-200 HS	GR-420 HS	GR-500 HS
Power (KW)	1,5	4	15
Mill chamber opening (mm)	200x180	420x200	500x300
Number Stator-/Rotor-Knives	3/1	3/2	3/2
Standard screen (mm)	9	9	9
Max. production capacity approx. (kg/h)	20-30	50-80	200-320
Rpm	220	280	580
Weight (KG)	160	350	750

Application pictures:



Cuttopipe MCM-Module

MATHO designs and manufactures unique granulators/inline cutting units for the labels, paper, packaing, wood veneer, textiles, non-woven and plastics industries.

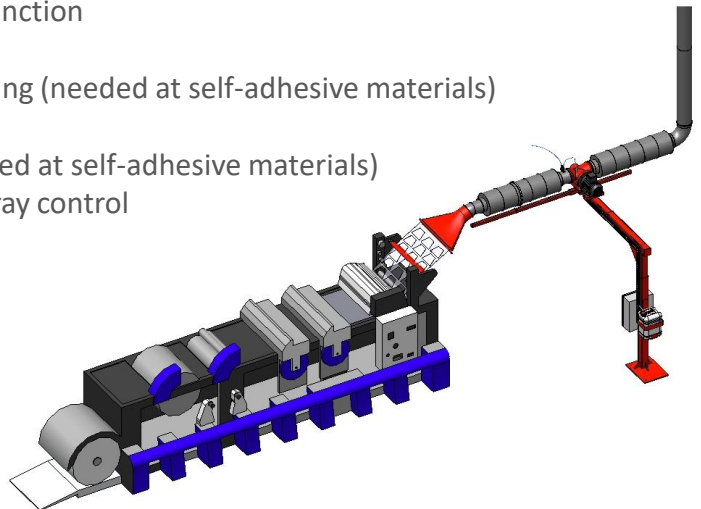
Within the Cuttopipe-product family the so-called **Matrix-Cutter-Modules (MCM)** are the cutting units especially for self-adhesive and non-adhesive matrix waste.

Single parts:

- Granulator/Inline cutting unit from the Cuttopipe GR-product family
- Fastening part for ground fixing
- Height adjustment with telescope function
- Arm for granulator/cutter
- Intake funnel with anti-sticking-coating (needed at self-adhesive materials)
- Piping silencer
- Oil spray system with 10l tank (needed at self-adhesive materials)
- Electrical control cabinet with oil spray control

Types:

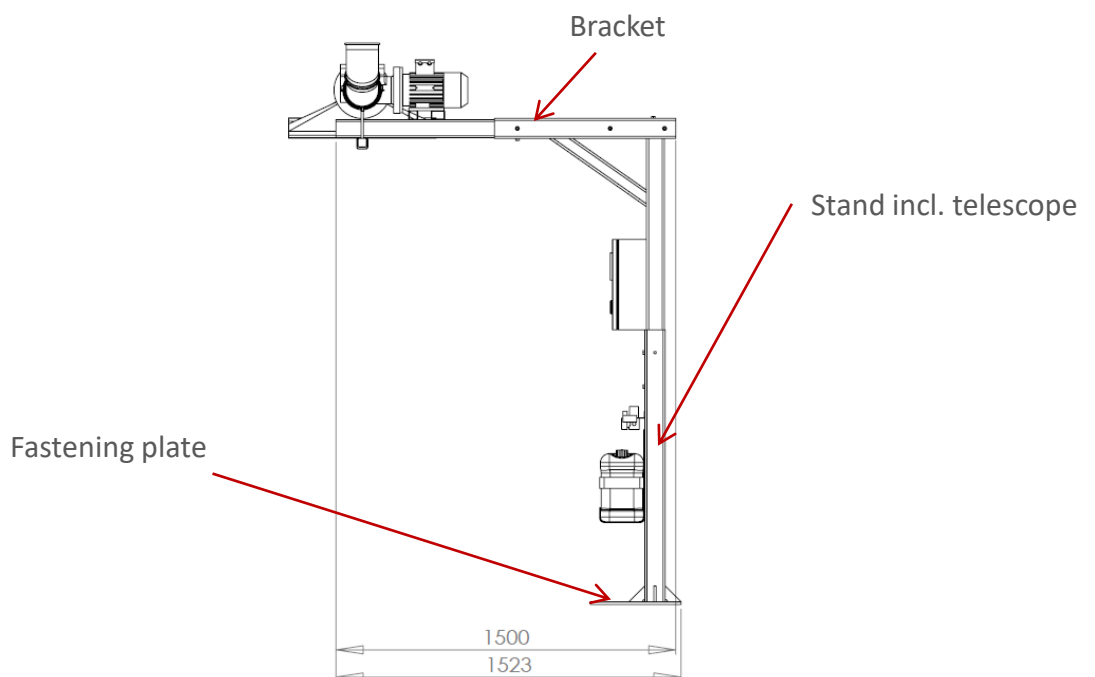
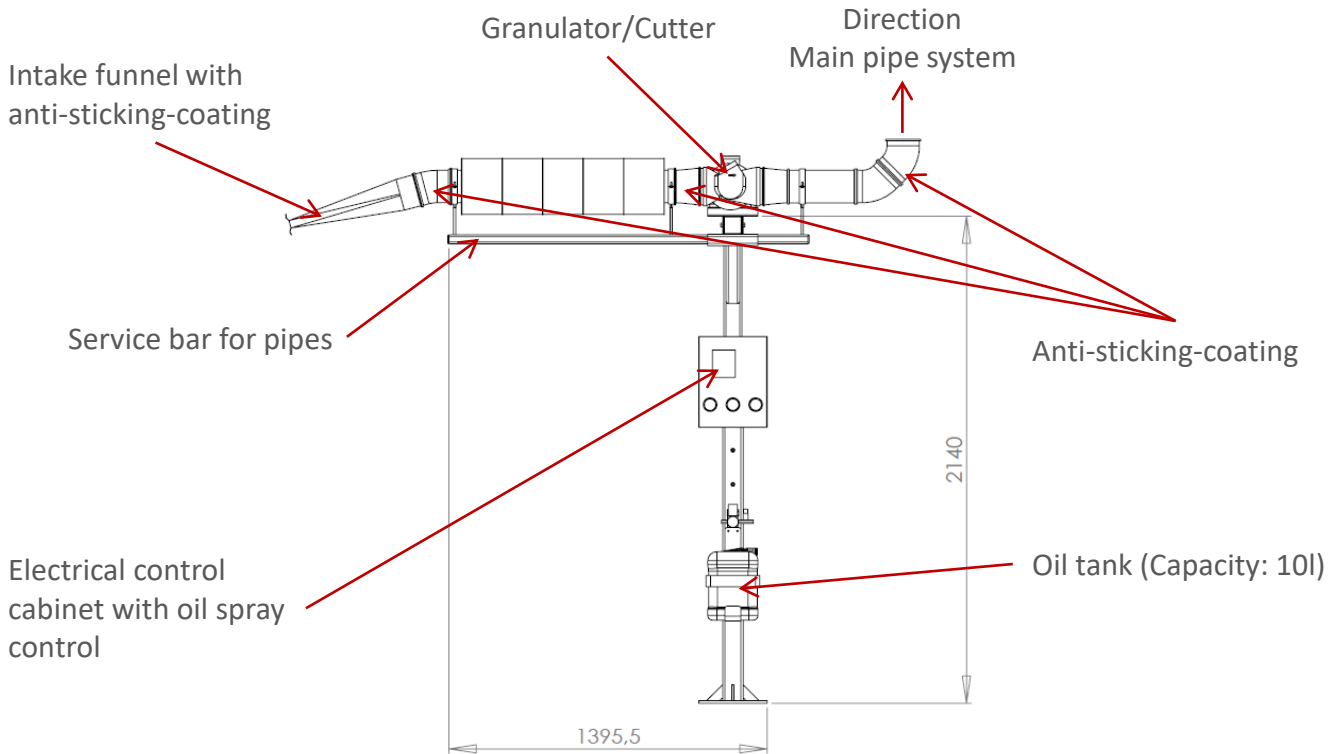
- Cuttopipe MCM-160
- Cuttopipe MCM-180
- Cuttopipe MCM-200



Application pictures:



Measurements & Details:



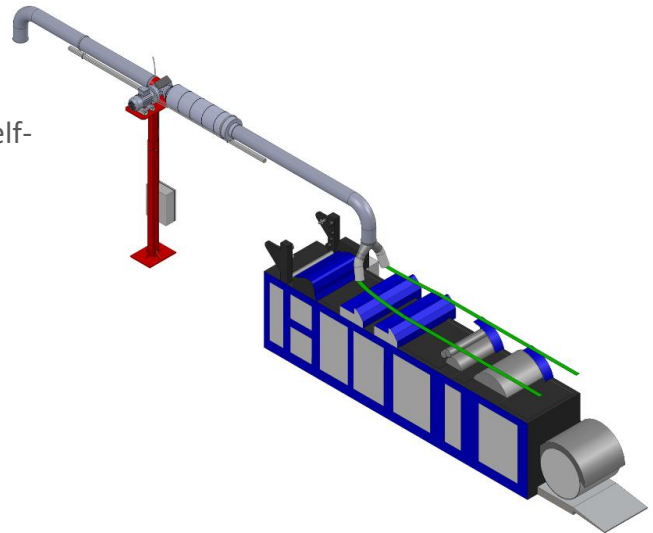
Cuttopipe TCM-Module

MATHO designs and manufactures unique granulators/inline cutting units for the labels, paper, packaging, wood veneer, textiles, non-woven and plastics industries.

Within the Cuttopipe-Product family the so-called **Trim-Cutter-Modules (TCM)** are the cutting units especially for self-adhesive and non-adhesive edge trims waste.

Single parts:

- Inline cutting unit from the Cuttopipe GR-product family
- Fastening part for ground fixing
- Height adjustment with telescope function
- Piping silencer
- Oil spray system with 10l tank (needed at self-adhesive material)
- Electrical control cabinet



Types:

- Cuttopipe TCM-100
- Cuttopipe TCM-160
- Cuttopipe TCM-200

Application pictures 1/2:



Application pictures 2/2:



Measurements & Details:

